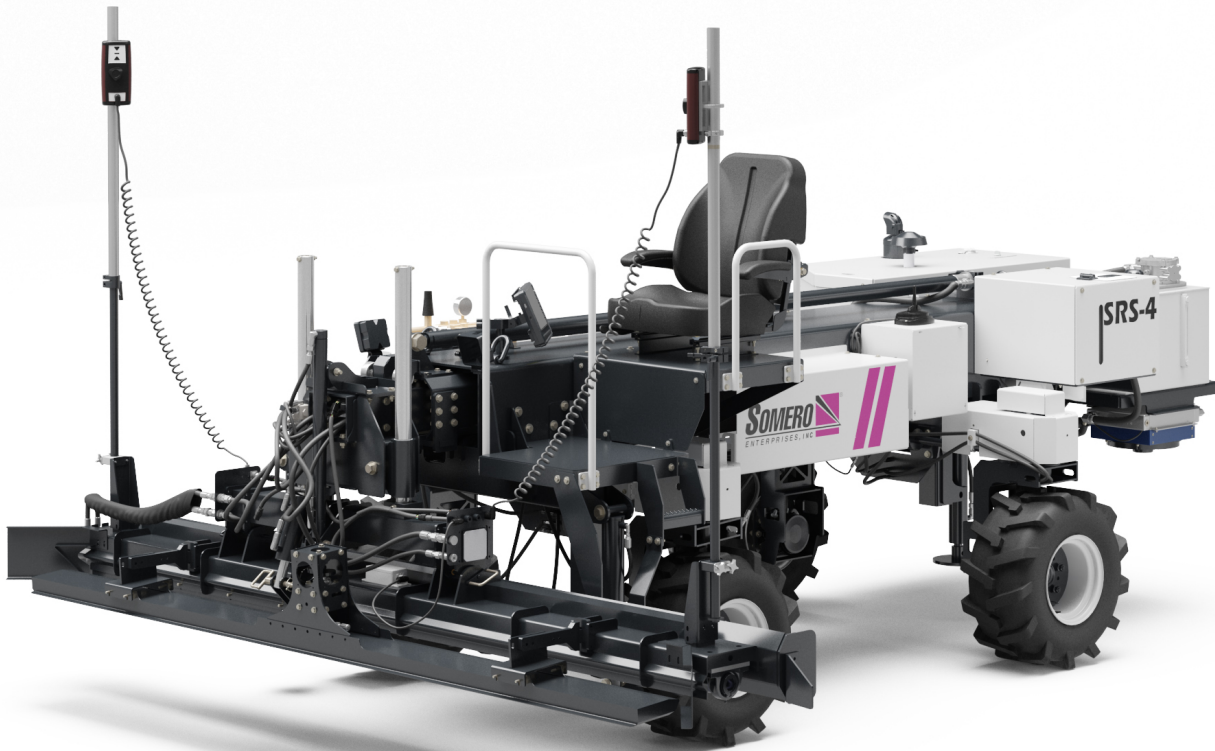


SRS-4



Machine shown with all options

Somero[®] is proud to introduce our newest innovation -
the SRS-4 Laser Screed[®] Machine.

Why The Competition is No Match:

- **Safer / Better Visibility** (No lower frame and no-nonsense design gives 360° visibility)
- **More Maneuverable** (steering with 2-wheel, 4-wheel, and crab steering)
- **Easier to Operate** (head lowering with hydraulic cylinder, not wrenches)
- **Smoother Process** (roller boom – not wear pad boom)
- **Lighter Weight** (at just 4,400 lbs., it's our lightest boomed Laser Screed[®] machine ever)



FEATURES/BENEFITS:

- > Remote-control operation - ScanReco Remote
- > Intelligent Steering adjusts steering angle to prevent stress and damage to components
- > Steering capabilities include 2 wheel, 4 wheel, and crab-style options
- > No lower frame and streamlined “no-nonsense” design creates 360° visibility keeping the operator safe and the machine lightweight
- > Utilizes the Somero® signature Soft Landing feature, making every pass efficient and on-grade
- > Conveniences include LED work lights, optional seat and pressure-washer
- > Jobsite safety is increased

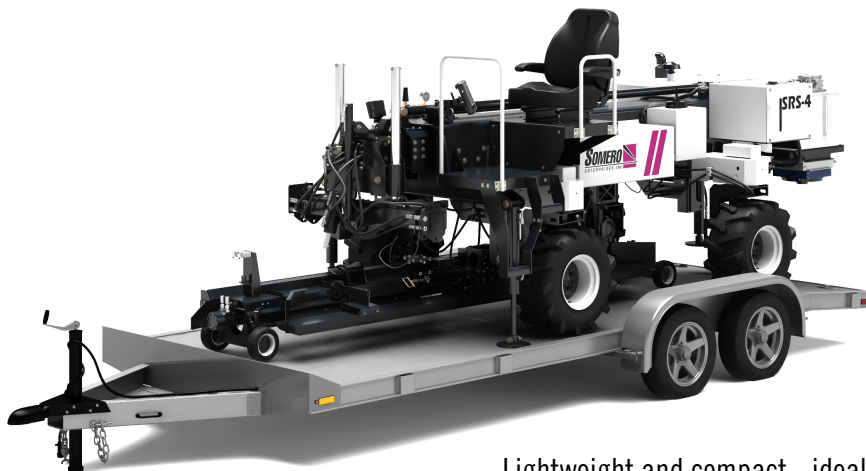
SPECIFICATIONS:

TOTAL WEIGHT	4,400 lbs (1,996kg), w/ all available options 4,700 lbs. (2,131kg)
WIDTH	6' 1" (1.85m)
LENGTH	14' 4" (4.35m) (transport length)
HEIGHT	5'5" (1.64m)
GROUND CLEARANCE	16.25" - 22" (41.27 - 55.88cm)
STEERING ANGLE	180 deg.
ENGINE	Kubota DH 902 T4f Diesel OR Kubota DH 972 T4f Propane
AUGER HEAD	10' (3.1m) (5" single flight auger)
BOOM LENGTH	18' (5.48m) (wear roller boom)

IDEAL PROJECTS FOR THE SRS-4

Grain Storage
Chicken Shed
Slurry Pit

Medium-sized Distribution Centers
Manufacturing Facilities
Warehouses



Lightweight and compact - ideal for tilt bed trailers

